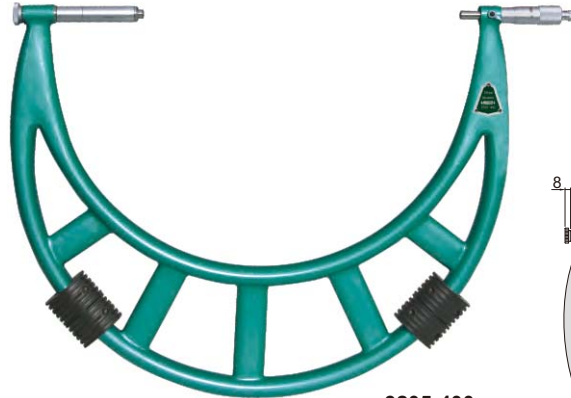


OUTSIDE MICROMETERS WITH EXTENSION ANVIL COLLAR

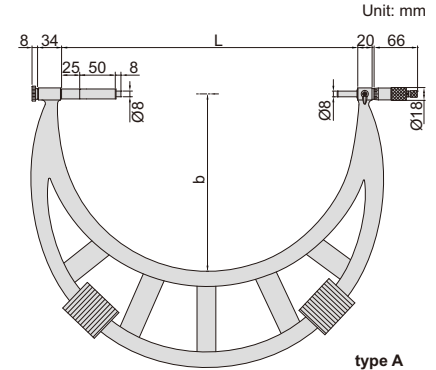
- Graduation 0.01mm
- Adjust collars for different measuring ranges
- Ratchet stop
- Carbide measuring faces
- Supplied with setting standards



adjust collars for different measuring ranges



3205-400



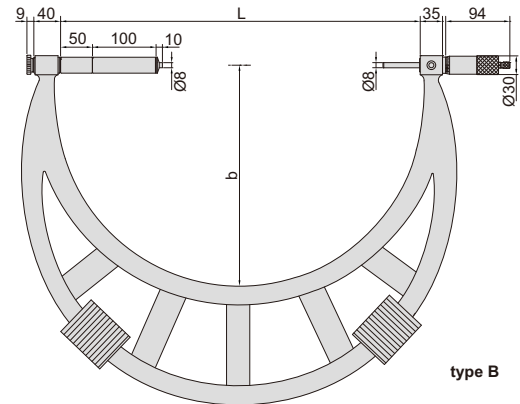
type A

(mm)



setting standard (included)

Code	Range	Type	Accuracy	L	b	Setting standard (included)
3205-400	300-400mm	A	11μm	410	250	325, 375
3205-500	400-500mm	A	13μm	510	295	425, 475
3205-600	500-600mm	A	14μm	610	345	525, 575
3205-700	600-700mm	A	16μm	710	395	625, 675
3205-800	700-800mm	A	18μm	810	445	725, 775,
3205-900	800-900mm	A	20μm	910	495	825, 875
3205-1000	900-1000mm	A	22μm	1010	545	925, 975
3205-1200	1000-1200mm	B	22μm	1210	645	1050, 1150
3205-1400	1200-1400mm	B	24μm	1410	745	1250, 1350
3205-1600	1400-1600mm	B	28μm	1610	845	1450, 1550
3205-1800	1600-1800mm	B	31μm	1810	945	1650, 1750
3205-2000	1800-2000mm	B	34μm	2010	1045	1850, 1950



type B